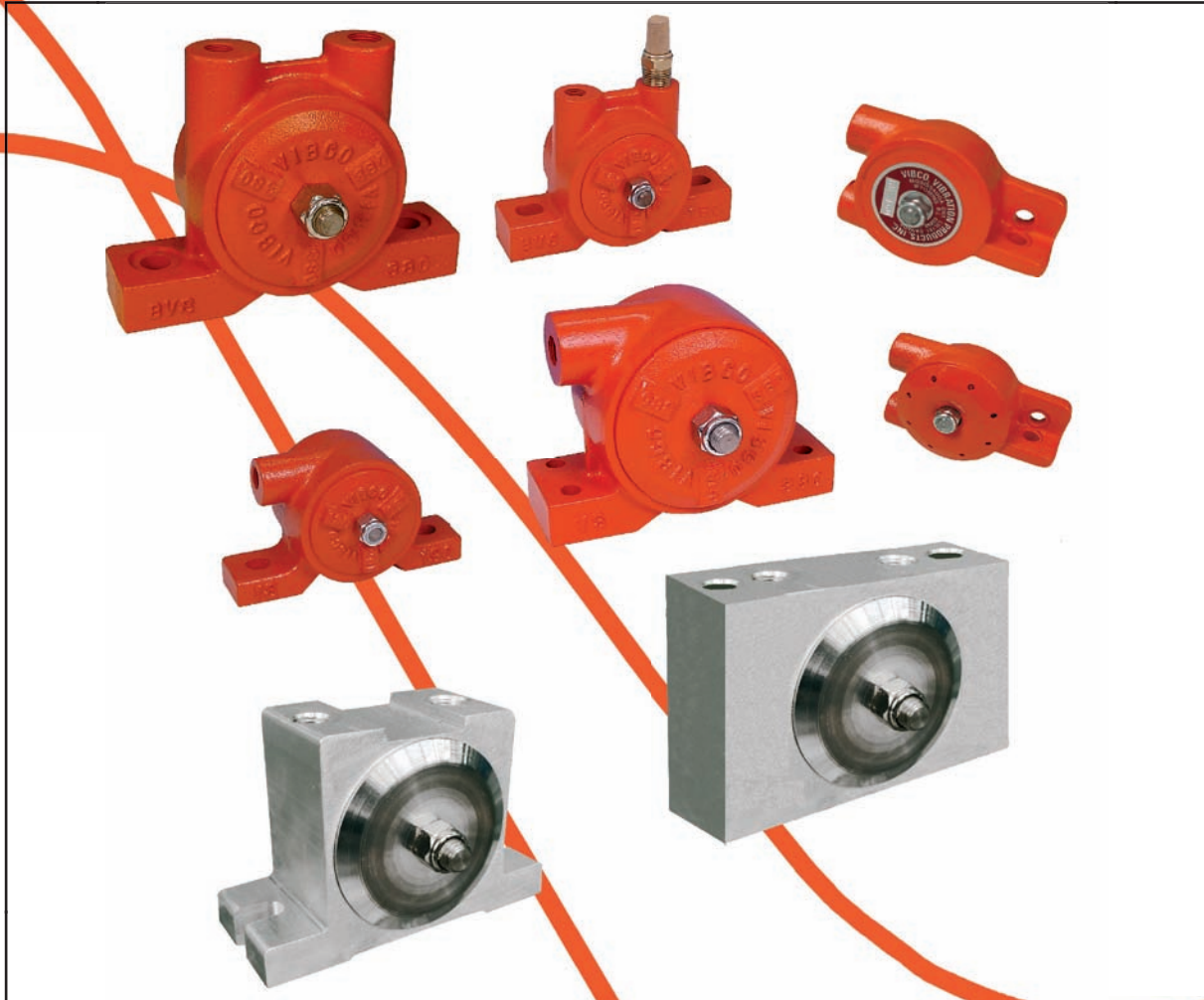


# Pneumatic Turbine

Mounting Instructions • Operating Instructions • Technical Data  
Parts List • Maintenance • Trouble Shooting



We're The **SILENT** Vibrator Guys.™

**Corporate HQ & Factory:**

75 Stilson Road Wyoming, RI 02898  
Phone: 800 633-0032 (401) 539-2392  
Fax: (401) 539-2584

**Western US:**

Phoenix, AZ 85254  
Phone: 800 633-0032 (480) 596-1809  
Fax: (480) 596-1614

**Canada:**

2215 Dunwin Drive  
Mississauga, ONT L5L 1X1  
Phone: 800 465-9709 (905) 828-4191  
Fax: (905) 828-5015

E-mail: [vibrators@vibco.com](mailto:vibrators@vibco.com)  
Website: [www.vibco.com](http://www.vibco.com)

Thank you for choosing VIBCO, Inc. for your vibration needs. You are now the owner of the finest silent pneumatic vibrator available today backed by complete manufacturer confidence in its quality and dependability. For reference please complete the information below about your new VIBCO vibrator.

Model Number: \_\_\_\_\_

Date of Purchase: \_\_\_\_\_

|                          |
|--------------------------|
| <b>TABLE OF CONTENTS</b> |
|--------------------------|

|  |       |
|--|-------|
| Safety Instructions .....                        | 2     |
| Mounting Instructions Checklist .....            | 3     |
| Mounting Procedures .....                        | 3-4   |
| Mounting To Bin Walls Or Chutes.....             | 5-8   |
| Vibrator Installation and Pneumatic Hook-up..... | 9-11  |
| Operating Instructions .....                     | 12    |
| Technical Data and Dimensions                    |       |
| Model BBS and FBS.....                           | 13    |
| Model VS.....                                    | 14    |
| Model BVS.....                                   | 15    |
| Model MLT and MLTSS.....                         | 16    |
| Exploded Views & Parts List .....                | 17-20 |
| Troubleshooting.....                             | 21    |
| Warranty & General Information .....             | 22    |

# SAFETY INSTRUCTIONS



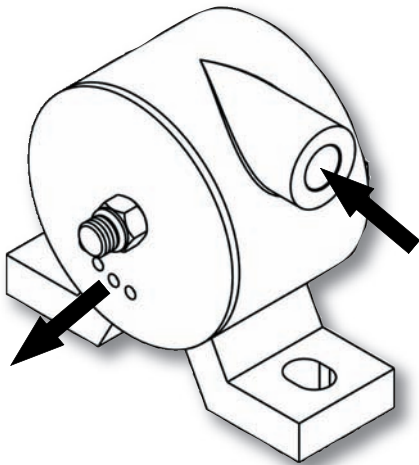
**WARNING:** Failure to read and follow these installation instructions and safety precautions could result in personal injury, equipment damage, shortened service life or unsatisfactory equipment performance. All information in this document is vital to the proper installation and operation of the equipment. It is important that all personnel who will be coming in contact with this product thoroughly read and understand this manual.

# HOW IT WORKS

VIBCO turbine air vibrators are designed to keep noise pollution at a minimum. Compressed air turns a specially designed turbine wheel that channels the air through the unit at frequencies well above the human hearing range, making it virtually silent. Turbine vibrators average a whisper quiet 72 dB. The BBS, BVS, MLT and MLTSS models should use a muffler to remove exhaust air hiss. The VS model has a built-in muffler.

## General Features

VIBCO turbine air vibrators operate in any position and are not adversely affected by dust, dirt or wetness. Speed can be adjusted by varying the air supply pressure. The only moving part is pre-lubricated for life and never needs oil, even for continuous duty.



**NOTE:** On BVS, BBS, MLT & MHI models, the smaller **INNER** port is the air inlet and the larger **INNER** port is the exhaust.

A cross-section diagram of the turbine vibrator showing air entering through the smaller inner port and exiting through the larger inner port. Below this are three perspective views of the vibrator from different angles, with black arrows indicating the direction of air flow: down into the inlet and up out of the exhaust.

## Optional Features For MLT Models

- Metric Threads
- Special Coatings:
  - High gloss dairy white industrial enamel
  - Anodized or unpainted aluminum

## Mounting Instructions Checklist

Warranty is void if vibrator is not properly installed. During installation follow and check off the following steps and your vibrator should provide you with years of trouble-free service.

- ☐ Determine the length of the channel iron.
- ☐ Select thickness of vibrator mounting plate and method of mounting.
- ☐ **STITCH** weld mounting plate to channel iron.
- ☐ Determine where vibrator should be placed on the bin.
- ☐ **STITCH** weld channel iron to bin.
- ☐ Place vibrator on mounting plate. It is important that you check the mounting plate for any warping. Secure vibrator firmly.
- ☐ Install safety chain or wire.
- ☐ Connecting pneumatics.
- ☐ Continuous vs. intermittent operation.
- ☐ **FILL OUT WARRANTY CARD!!!**



## MOUNTING INSTRUCTIONS

If you have any questions consult the Mounting Instruction section of this manual or call VIBCO's Technical Support at **(800) 633-0032**.

### Mounting Plate

For force up to 100 lbs. use a 1/4 in. thick plate, 100 to 500 lbs. use a 3/8 in. to 1/2 in. thick plate and over 500 lbs. use a 1/2 in. thick plate. (See Table).

| CORRECT MOUNTING PLATES |                    |
|-------------------------|--------------------|
| LBS. OF FORCE           | PLATE THICKNESS    |
| up to 100 lbs.          | 1/4" plate         |
| 100 to 500 lbs.         | 3/8" to 1/2" plate |
| over 500 lbs.           | 1/2" plate         |

### Mounting Channel

*Never place the vibrator directly onto the skin of the bin.* It should be mounted to either a plate or a piece of channel iron that has been welded to the bin. The proper mounting method is to use either 3 in. or 4 in. channel iron. This will help to stiffen the structure to be vibrated as well as spread the vibration over a larger surface, increasing the overall efficiency and diminishing the possibilities of fatigue cracks in the bin material.

The length of the channel iron is determined by the thickness of the bin plate. For vibrators with a force up to 500 lbs. and a bin plate under 3/16" the 4 in. channel iron should extend 18 to 36 inches on both sides of the vibrator. For smaller vibrators with a force of up to 100 lbs. and a bin thickness of 3/16 in. to 1/4 in. the length of the 3 in. channel iron should extend 3 to 4 inches on both sides of the vibrator. For vibrators with a force between 100 and 500 lbs. and a bin thickness of 3/8 in. to 1/2 in. the length of the 3 in. or 4 in. channel iron should extend 6 to 8 inches on both sides of the vibrator. (See Table).

| SUGGESTED CHANNEL LENGTH                         |                    |                                      |
|--|--------------------|--------------------------------------|
| LBS. OF FORCE/BIN WALL WIDTH                     | CHANNEL IRON WIDTH | CHANNEL IRON LENGTH                  |
| up to 100 lbs / bin wall < 3/16" ( <i>thin</i> ) | 3" channel iron    | 18" to 36" on both sides of vibrator |
| up to 500 lbs / bin wall = 3/16" to 1/4"         | 4" channel iron    | 3" to 4" on both sides of vibrator   |
| over 500 lbs / bin wall = 3/8" to 1/2"           | 4" channel iron    | 6" to 8" on both sides of vibrator   |

**PHONE ORDER: 1-800-633-0032**

**FAX: 1-401-539-2584**

**WWW.VIBCO.COM**

**VIBRATORS@VIBCO.COM**

## Welding Mounting Plate to Channel Iron

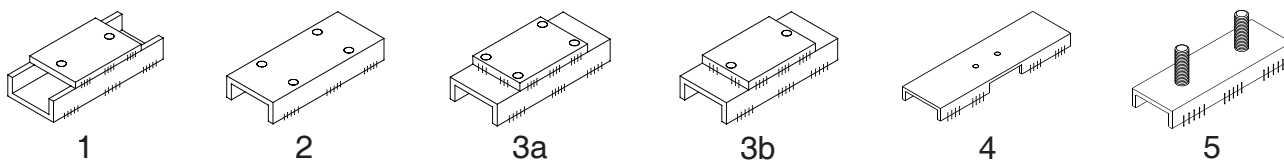
Weld the mounting plate to the middle of the channel iron. If the bin plate is 3/16 in. or less, weld the mounting plate to the back of the channel iron (see figure 3 or 4). If the bin plate is over 3/16 in. weld the mounting plate to the legs of the channel iron (see figure 1). Drill and tap holes or use studded plate (see figure 1). Make sure the mounting plate does not warp or distort. If this occurs, straighten, replace it or shim up vibrator.

## Different Suggestions for Mounting the Channel

1. Mounting plate welded to legs of channel iron.
2. 3 in. or 4 in. channel iron with holes drilled thru and nuts welded on back side, or just holes drilled thru.
3. Add mounting plate and drill and tap holes thru.
4. Notch the channel for access to mounting bolts.
5. Weld studs to back of channel.



Always stop welds 1 in. from ends to prevent cracks.



*NOTE: for a list of alternate and special application brackets, see pg. 35 of the VIBCO General Catalog.*

## Placement

For coarse materials the vibrator should be mounted approximately 1/3 of the distance from the discharge opening to the top of the sloped portion of the bin. For fine grain materials place the vibrator approximately 1/4 of the same distance (see different mounting suggestions on the following pages).

## Welding Channel Iron To Bin

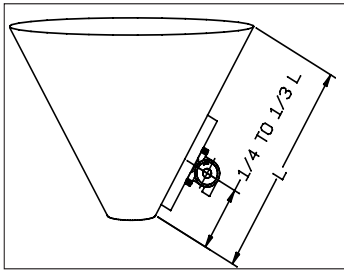
Where possible the mounting plate on the channel iron should be placed 1/3 to 1/4 of the distance from the discharge opening to the top of the sloped portion of the bin. Stitch weld channel iron in place, then weld intermittent welds 3 to 6" long with 3" between them along the entire length of the channel. Stop weld a minimum of 1" from the ends, it is important that you do not weld the ends of the channel iron. The heat concentration when welding the ends could cause the beginning of fatigue cracks.

## Installing Safety Chain

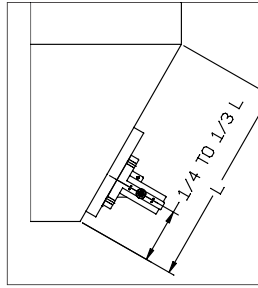
It is important to install a safety chain or wire in order to prevent the vibrator from falling and potentially causing injury if it comes loose from its mount.

**Mounting Suggestions**

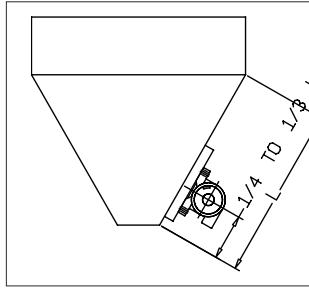
**Conical Bin**



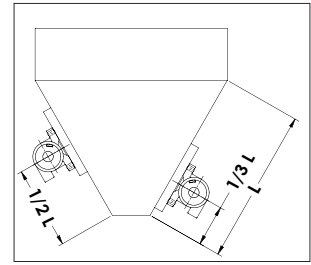
**1/2 Rectangular Bin**



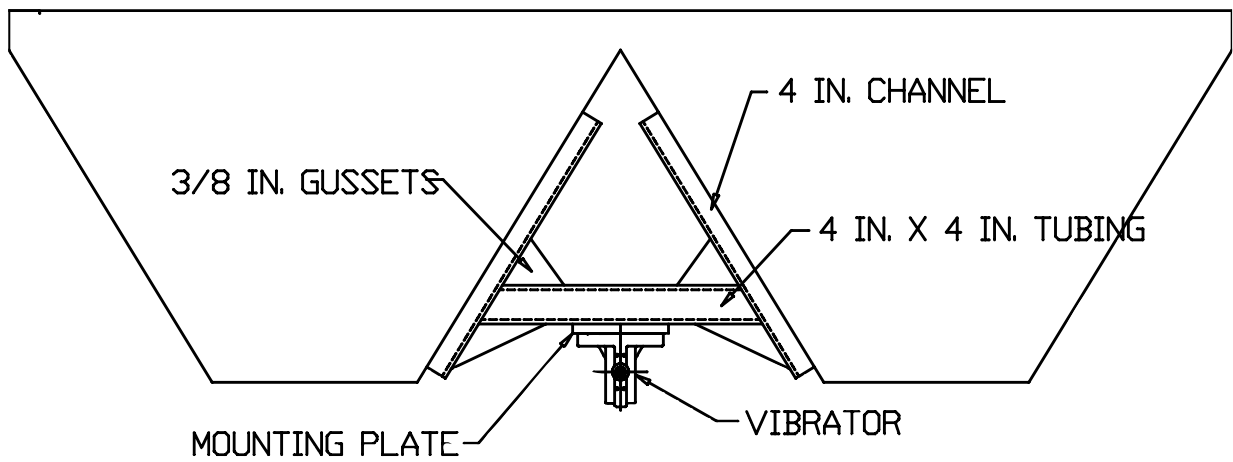
**Rectangular Bin**



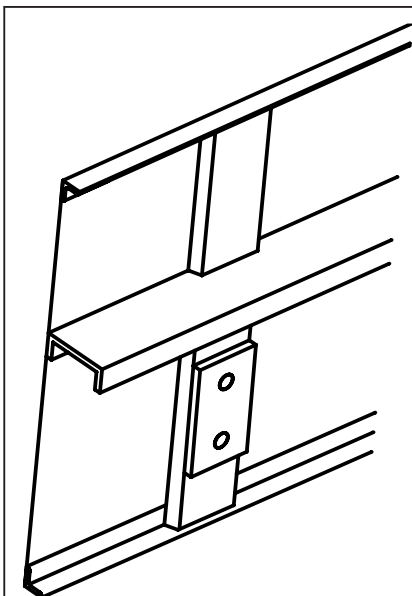
**Two Vibrators On A Single Bin**



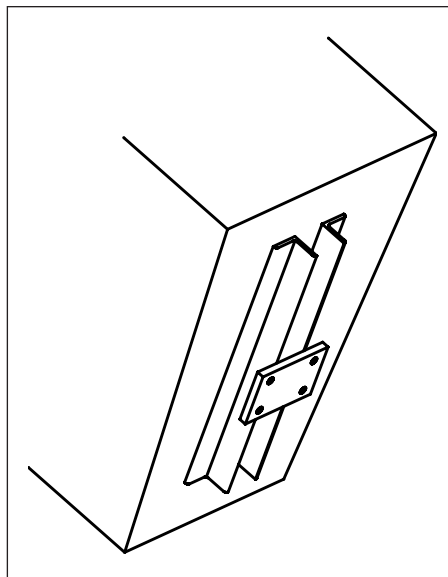
**One Vibrator For A Double Bin**



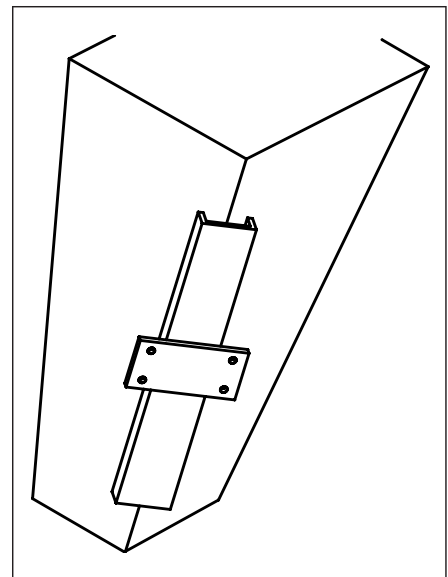
**Bin With Stiffeners**



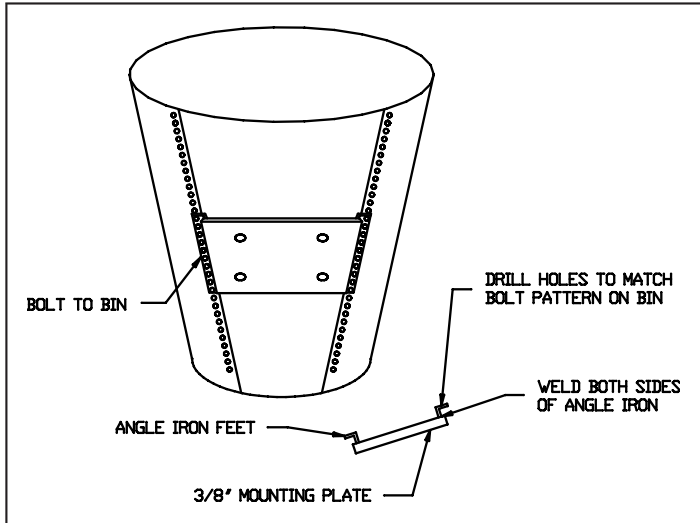
**Angle Iron Stiffeners Instead of Channel Iron**



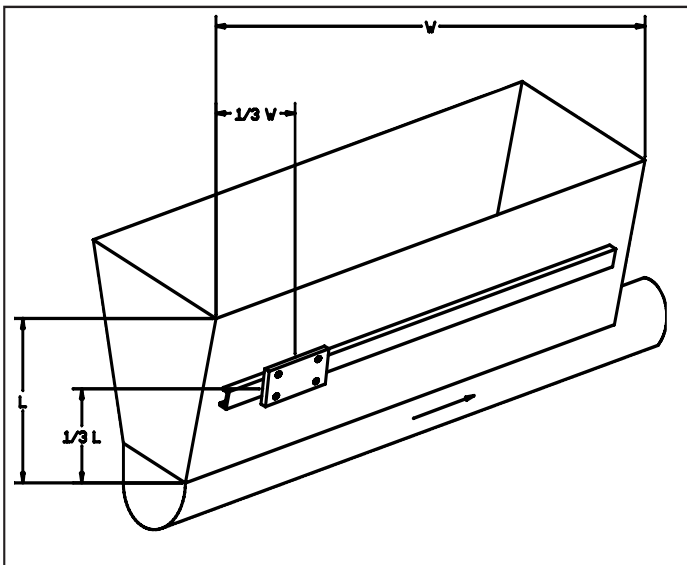
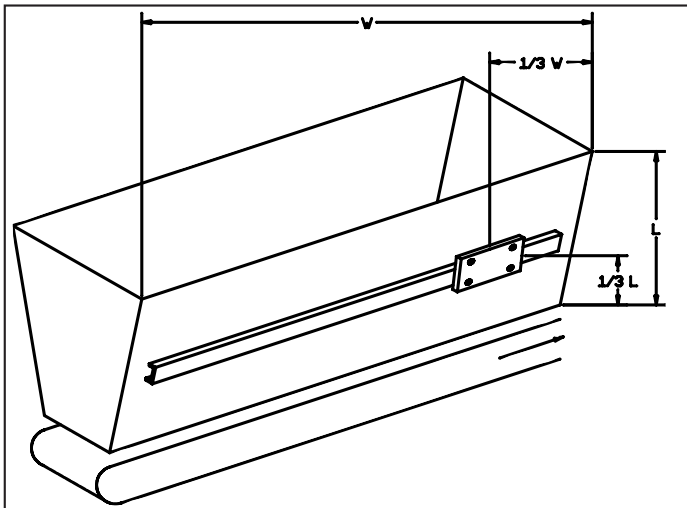
**Thin Skinned Bin Corner Mount**



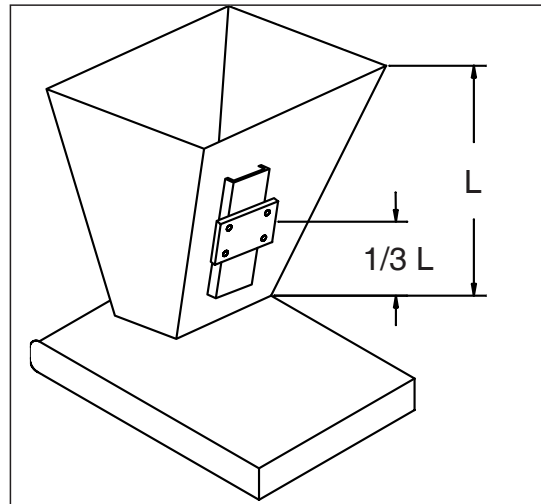
### Sheet Metal Bin



### Long Bin

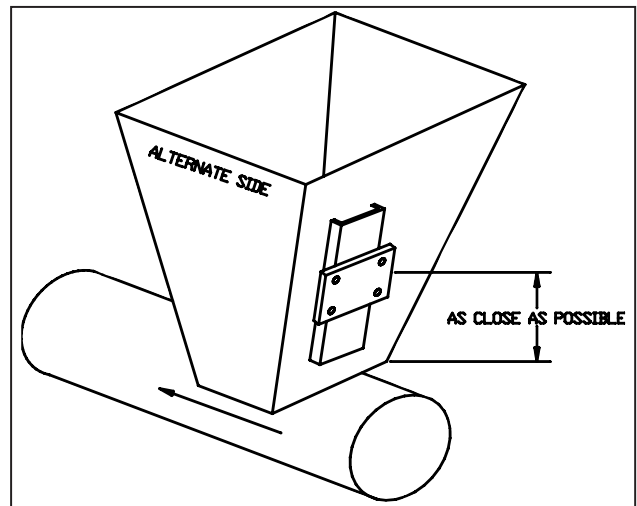


### Belt Conveyor and Standard Bin



### Belt Conveyors

Belt conveyor feeds from the front. Vibrator should be placed 1/3 from the front. If 2 vibrators are used, place 2nd one directly opposite 1/3 from the back. Do not operate back vibrator until bin is empty in front and the front vibrator has turned off. For more details consult Vibco.

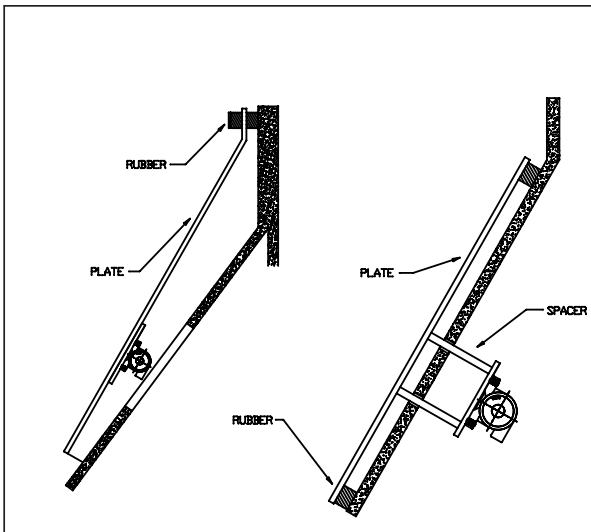
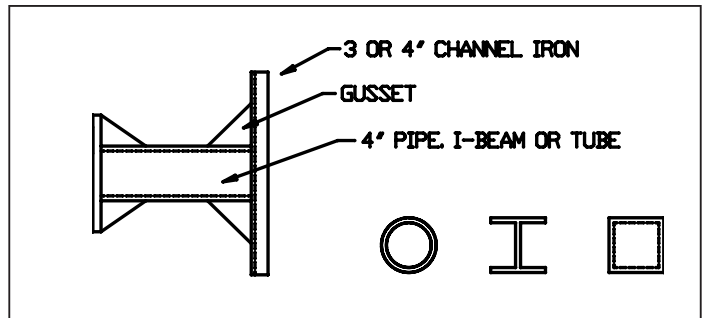
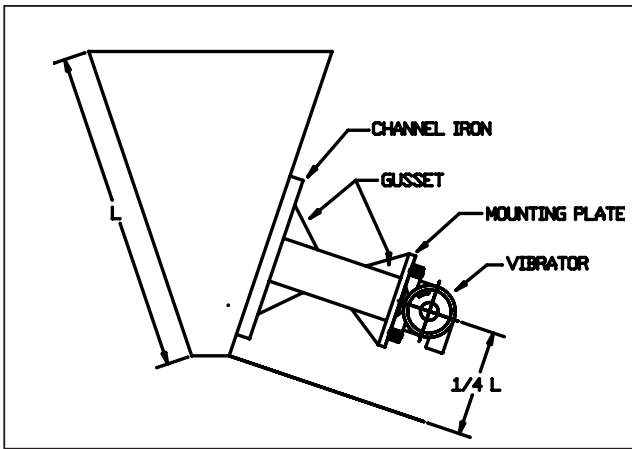
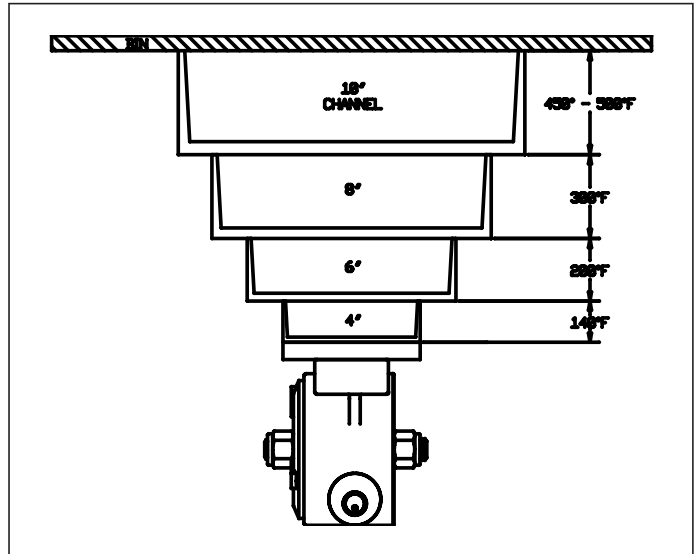
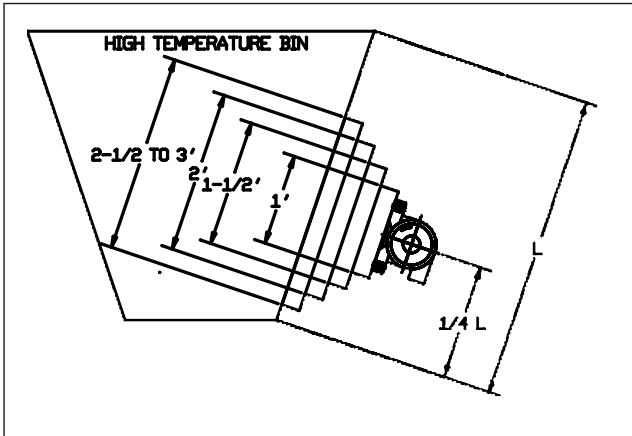


### Screw Conveyors

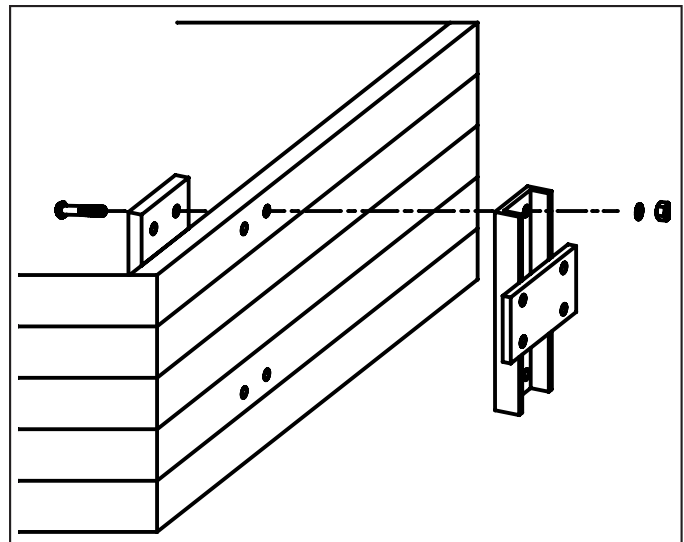
Feeds from back. Vibrator should be placed 1/3 from the back. If 2 vibrators are used, place 2nd one directly opposite 1/3 from the front. Do not operate front vibrator until bin is empty in back and the back vibrator has turned off. For more details consult Vibco.

### Heat Mounts for Insulated Bins Containing High Temperature Materials

When materials in the bin have a temperature over 150°F, it is advisable to use a “heat” mount to prevent excessive heat from reaching the vibrator causing overload or bearing failure. Also ask for “high” temperature grease in vibrator bearing. Consult VIBCO for vibrator size.



Mount steel plate on inside of bin so that the vibrator sits 1/3 up bin side. Isolate the plate from the concrete by using vibration shock absorbers. Consult VIBCO for detailed drawings.



Use steel plate on inside and bolt to outside mounting channel.

PHONE ORDER: 1-800-633-0032

FAX: 1-401-539-2584

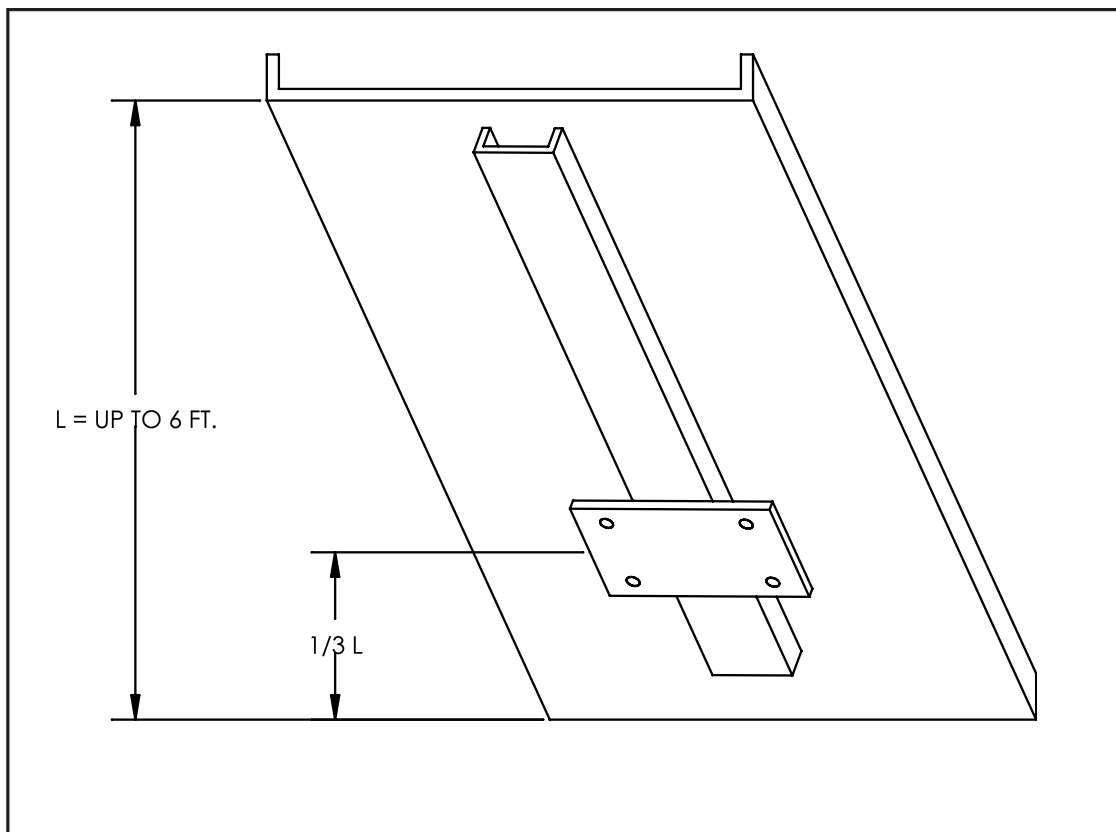
WWW.VIBCO.COM

VIBRATORS@VIBCO.COM



## CHUTES

In order to successfully move material in a chute, the “angle of repose” of the material has to be known. It can be found in most handbooks or can easily be measured by pouring a cup of the material on a table. The angle between the table and the cone the material makes is the “angle of repose”. To move the material in the chute, it should be inclined no less than  $1/2$  of the “angle of repose”. If this cannot be obtained, a feeder is necessary to move the material. (A) Chutes up to 6 ft. are generally handled by one vibrator mounted approximately  $1/3$  from the discharge. (B) On chutes over 6 ft. long, two vibrators are needed, one should be placed  $18/24$ ” from the discharge. The other approximately in the middle. Since chutes are very sensitive to vibration, provision should be made to move the lower vibrator 6 inches in either direction. This could mean the difference between moving the material or not moving it. (C) The direction of rotation of the vibrator shaft should be in the direction of material flow. (D) Force (impact) needed on vibrator is equal to weight of chute + vibrator + max material in chute. Chutes must have an inclination of at least  $10^\circ$  for vibrators to be able to move the material. If inclination is less the chute has to be made into a feeder. Contact VIBCO for selecting the proper size vibrator or ask for the bulletin covering chutes.



# VIBRATOR INSTALLATION

## Installation of the Vibrator

It is now time to put the VIBCO vibrator in place. Make sure that it is secured tightly. Retighten the bolts after the first 10 to 15 minutes of operation and check them periodically to maintain proper tightness (figures 1 and 2).



Damage to the bin and the vibrator can occur if not mounted securely.

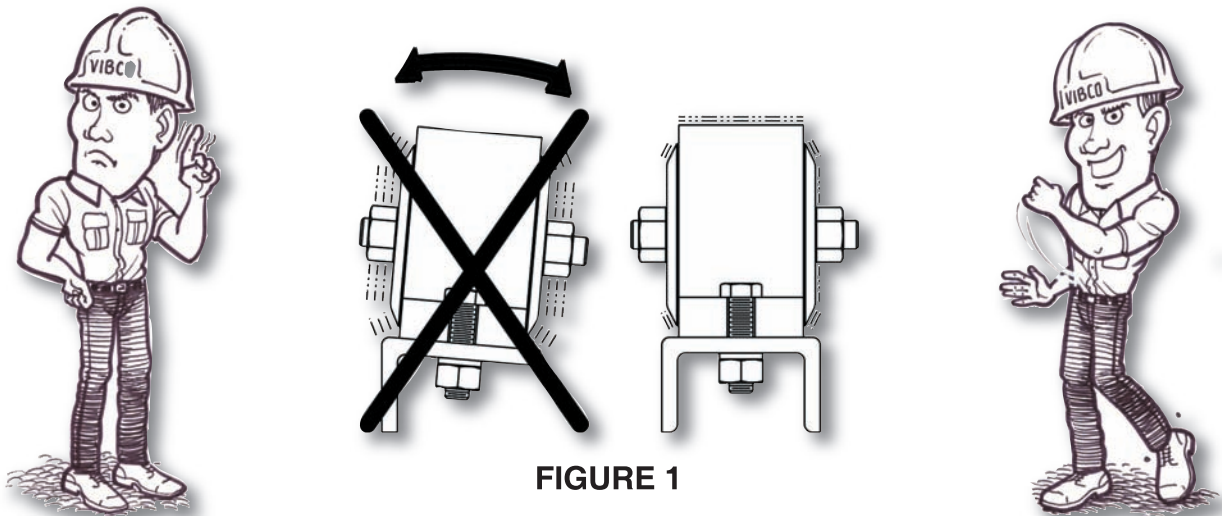


FIGURE 1

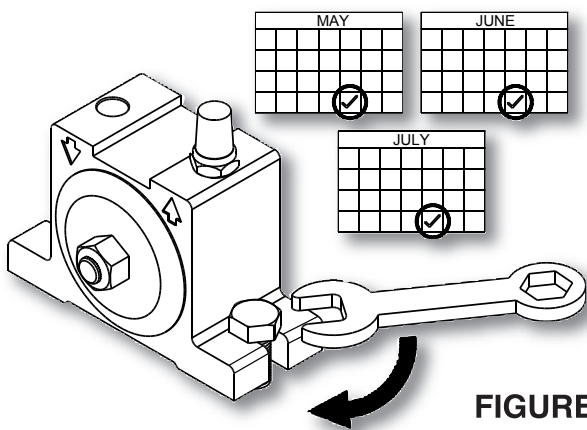


FIGURE 2

Remember:  
Check those  
bolts!



| BOLT SIZE | TORQUE ft-lbs |
|-----------|---------------|
| 1/4"      | 13            |
| 5/16"     | 25            |
| 3/8"      | 48            |
| 1/2"      | 115           |
| 5/8"      | 145           |
| 3/4"      | 260           |

## Air Line To Vibrator

The hose to the inlet port of the vibrator should have the same or larger hose I.D. as the inlet I.D. (pipe size) of the vibrator, so that the pressure loss from the compressor to the vibrator is minimized.

| TO DETERMINE CORRECT AIR HOSE SIZE** |                  |                    |         |
|--------------------------------------|------------------|--------------------|---------|
| TURBINE MODEL NUMBER                 | MIN AIR HOSE DIA | MIN FR* THREAD DIA | CFM     |
| 100 - 130                            | 1/8"             | 1/4"               | 4 - 6   |
| 160 - 250                            | 1/4"             | 1/4"               | 7 - 10  |
| 320 - 380                            | 3/8"             | 3/8"               | 10 - 18 |
| 440 - 510                            | 1/2"             | 1/2"               | 18 - 21 |
| 570                                  | 3/4"             | 3/4"               | 21 - 30 |

\* F=filter R=regulator

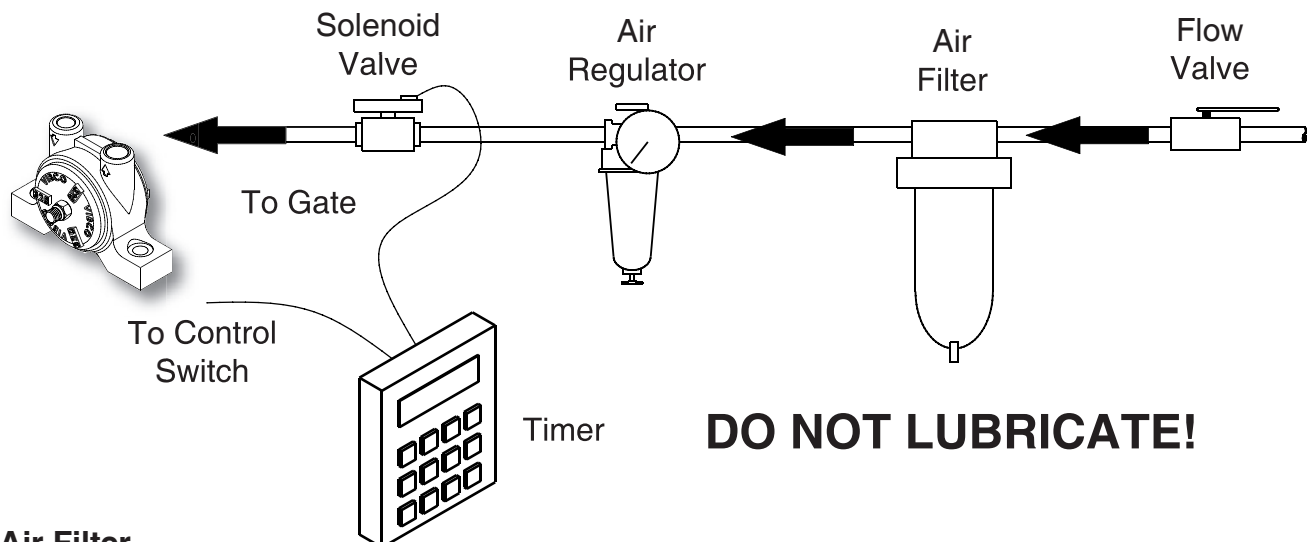
\*\* these specs for installation of single unit;  
for multiple units, adjust to maintain CFM

## Flow Valve

A simple flow control valve is recommended to allow "tuning" the vibrator to the desired force necessary for solving your material flow problem. The air flow determines the force and frequency of the vibrator. By throttling the air flow, you can "find" the desired material discharge rate. You should watch for and avoid speeds (frequency) at which the binwall and the vibrator shake violently. An increase or decrease of air flow (assuming the mount is rigid) usually stops the excessive movement and will smooth out the operation.

## Quick Opening Valves

These are recommended between the air regulator and the vibrator so that the air enters the vibrator at full starting force even at low regulator valve settings. The only requirement is that you install the air regulator at least 12 inches away from the quick opening valve so that the air pressure between the two valves will build up enough to yield the necessary starting force. Solenoid (quick opening) valves are suggested for automatic operations. Automatic Timed Cycling is programmed with the timer usually directly connected to the bin or hopper gate switch. When the gate is opened the timed cycling system is activated.



## Air Filter

It is recommended that you use an air filter in the line. Clean air will prolong the life of any pneumatic vibrator. Dirty or moist air will harm the unit and impair it from operating at maximum efficiency and lowest air consumption.

## Maximum Air Pressure

The operating pressure of the vibrator should not exceed 80 psi and should be no lower than 60 psi unless specially constructed by VIBCO. Max air pressure for BVS-60, VS, BBS and FBS-100 should be 60 psi (Figure 3).

## Maximum Temperature

The operating temperature of the vibrator should not exceed 200°F (93°C). High temperature units are available (Figure 4).

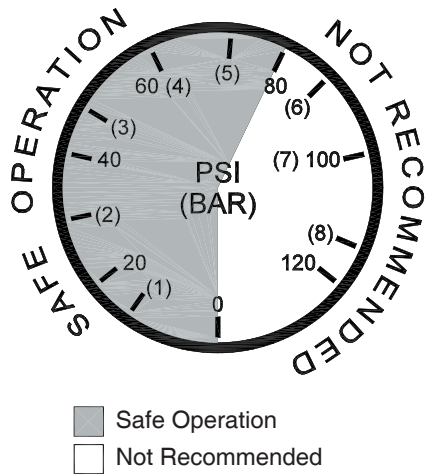


FIGURE 3

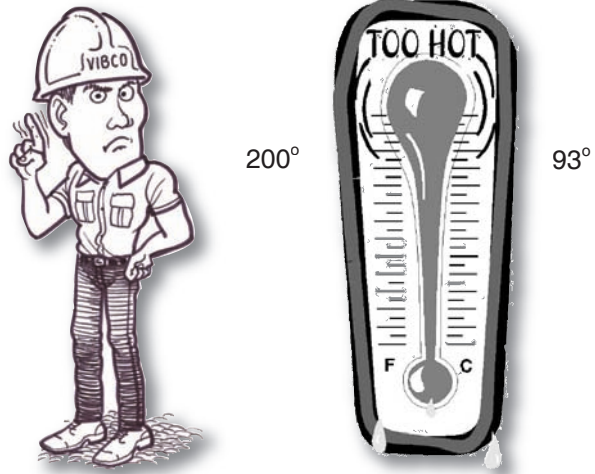


FIGURE 4

## Operating Instructions

### To Obtain Maximum Performance

It is not necessary to operate the vibrator at its maximum capacity to obtain maximum performance. Air regulators, timers, etc. should be used to tune the vibrator for optimum performance and ensure longer life.

### Continuous vs. Intermittent Operation

For bulk material bin applications, the vibrator should be used to reduce the material friction and increase flow, not as a feeder. Once the friction of the particles is reduced, gravity flow takes over and the vibrator should then be turned off for several reasons:

**Economy.** Most vibrators are run 60% to 80% longer than they should. Short bursts of vibration are usually more effective than operating continuously. Experience has shown that for most applications, short bursts of 10 to 30 seconds for every 1 to 5 minutes of discharge are more effective and efficient.

**Life of the Unit.** The life of the vibrator will be determined by the length of operation and the cleanliness of the air supply.

**Guaranteed Success of the Application.** The vibrator can only furnish material to the discharge area. If more is furnished than conveyed, the remaining material will pack inside the bin. We suggest the vibrators only run when the bin gates or doors are open, or when material flow is needed.

## Maintenance

VIBCO turbine vibrators function without maintenance. They require no lubrication in the air line. It is advisable to put an air-cleaner in the line to prevent dust and dirt from going through the unit and clogging the muffler. All models are easily repairable. Remove both nuts, press the shaft out of the bearings and turbine. Use Andok C or Unirex N2 (by Exxon) or equal type of grease. When reassembling be sure the turbine wheel is put back so that the incoming air will hit the pocket of the tooth, not the back of the tooth.

## Troubleshooting

### The Vibrator Won't Start!

1. Check for dirt in the airline OR inlet opening
2. Check for dirt or debris clogging the exhaust muffler
3. Double check the size of your air line - is it large enough to give you the correct cubic feet per minute (CFM) and correct air pressure (minimum required = 20 PSI)?
4. Did you mount the air regulator far enough away from the quick acting valve for the right amount of air pressure to build up?

**NOTE:** Bearings may require a short "break-in" period to run at optimum VPM stated in the catalog

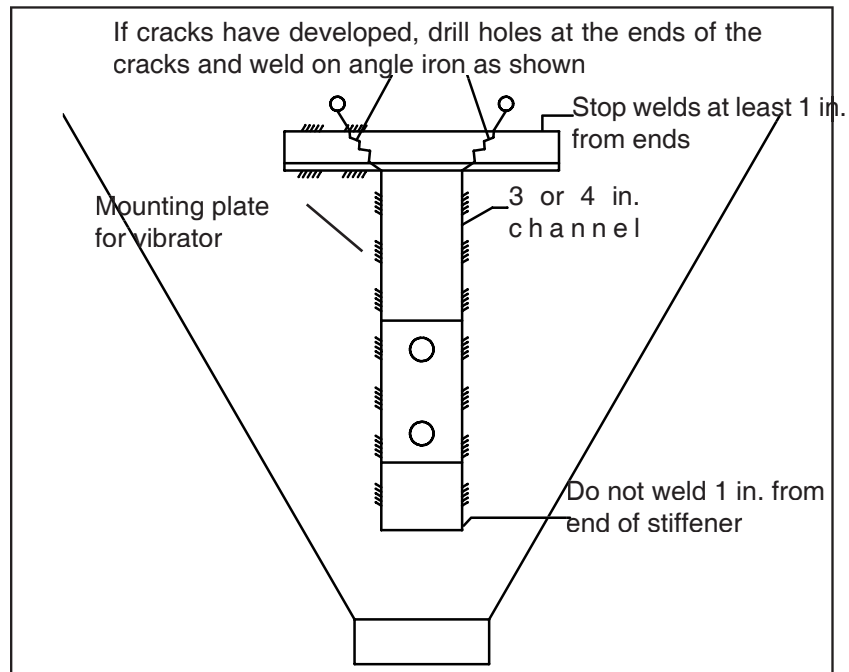
If required, all models are easily repairable. The ball bearings can easily be changed by any maintenance mechanic by removing the two end covers and pressing out the damaged bearings from the turbine wheel. Remove both nuts, press the shaft out of the bearings and turbine. Note: Use Andok C or Unirex N2 (by Exxon) or equal type of grease. When reassembling be sure the turbine wheel is put back so that the incoming air will hit the pocket of the tooth, not the back of the tooth.

When new, the turbine vibrator might be slow in starting due to:

- A. The bearings being packed with grease. Excess grease will be thrown out of the bearing after a short operating time.
- B. Temperature might be low causing the grease to be stiff. After a short operating time the grease will warm and begin to loosen.
- C. Bearing seals are stiff when new or cold. A brief run time will wear them in.

Sudden loss of vibration:

- A. Loss of vibration could be caused by a cracked weld or a crack in the bin. Vibration will not travel through a crack. Follow the instructions below on how to fix the problem.



The improper welding of bin stiffeners, to which the vibrator is attached, often results in fatigue cracks in the bin. This can be prevented by properly welding stiffeners to the bin side. A stiffener should be stitch welded to the bin leaving 3 to 4 inches between welds. STOP WELDS 1 IN. FROM THE ENDS OF THE STIFFENER. This will prevent fatigue cracks that occur due to crystallization of the material. This crystallization is caused by the heat concentration that develops when the ends of the channel iron are welded. To stop the cracks, drill a hole at the end of each crack and weld on a piece of angle iron as shown above. When welding on the angle iron STOP WELDS 1 IN. FROM THE ENDS.

**PHONE ORDER: 1-800-633-0032**

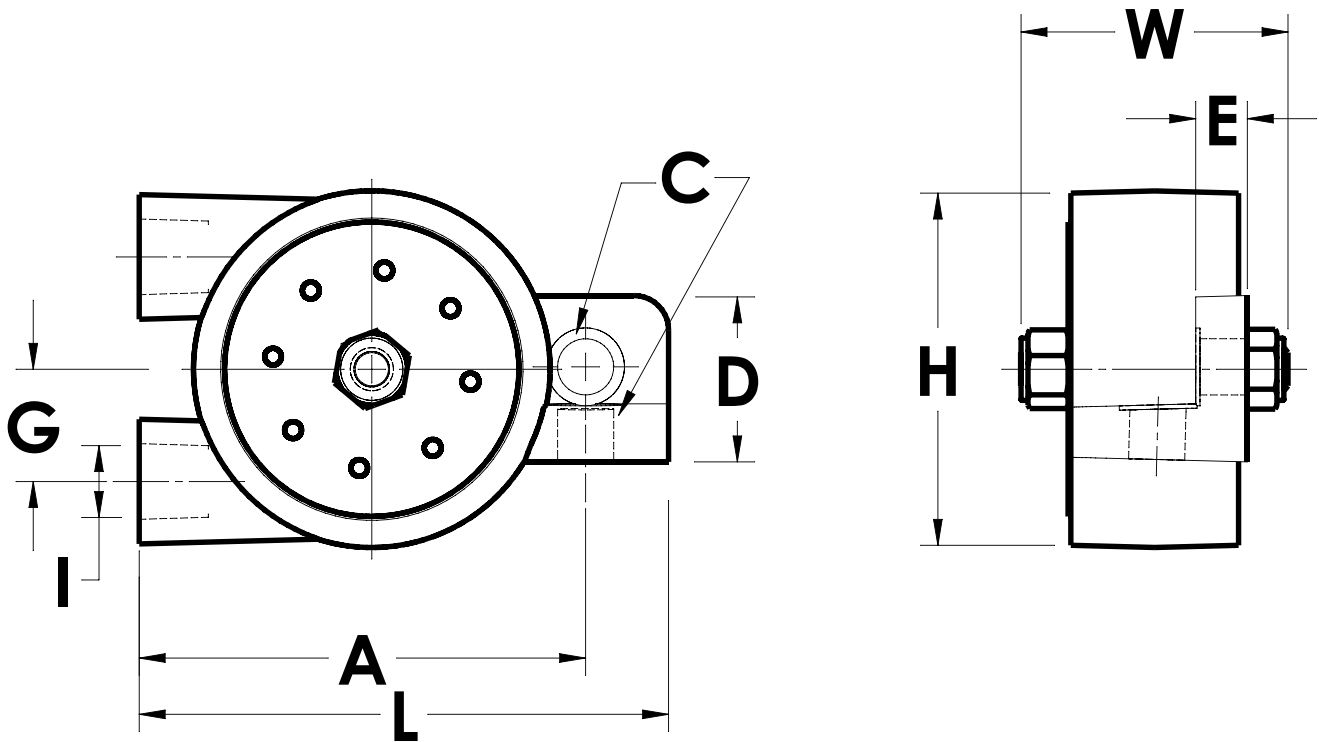
**FAX: 1-401-539-2584**

# BBS and FBS Technical Data

| Model         | A      |    | C ** |    | L     |     | W     |    | H      |    | D      |    | E    |    | G    |    | I *       |
|---------------|--------|----|------|----|-------|-----|-------|----|--------|----|--------|----|------|----|------|----|-----------|
|               | Inch   | mm | Inch | mm | Inch  | mm  | Inch  | mm | Inch   | mm | Inch   | mm | Inch | mm | Inch | mm | Air Inlet |
| BBS-100       | 2 5/8  | 67 | 5/16 | 8  | 3 1/4 | 83  | 1 5/8 | 41 | 2      | 51 | 1      | 25 | 5/16 | 8  | 9/16 | 14 | 1/8-NPT   |
| FBS-100       |        |    |      |    |       |     |       |    |        |    |        |    |      |    |      |    |           |
| BBS-130       | 3 3/16 | 81 | 3/8  | 10 | 3 3/4 | 95  | 1 7/8 | 48 | 2 1/4  | 57 | 1 3/16 | 30 | 5/16 | 8  | 5/8  | 16 | 1/4-NPT   |
| FBS-130       |        |    |      |    |       |     |       |    |        |    |        |    |      |    |      |    |           |
| BBS-160 & 190 | 3 9/16 | 90 | 3/8  | 10 | 4 1/8 | 105 | 2     | 51 | 2 9/16 | 65 | 1 1/4  | 32 | 5/16 | 8  | 3/4  | 19 | 1/4-NPT   |
| FBS-160 & 190 |        |    |      |    |       |     |       |    |        |    |        |    |      |    |      |    |           |

\* NPT Pipe Tap Size

\*\* Bolt Size



| Model   | Weight |      | 60 psi    |     | 80 psi    |     |              |           | Max. lbs. | Material in Bin  |
|---------|--------|------|-----------|-----|-----------|-----|--------------|-----------|-----------|------------------|
|         | oz.    | kg   | Speed VPM | CFM | Speed VPM | CFM | Force (lbs.) | Force (N) |           |                  |
| BBS-100 | 5      | .142 | 12000     | 3.5 |           |     | 20           | 89        | 66        | 200              |
| BBS-130 | 9      | .255 | 8000      | 4.5 | 10500     | 5.5 | 75           | 334       | 67        | 750              |
| BBS-160 | 12     | .340 | 5500      | 5   | 9000      | 7   | 160          | 712       | 67        | 1600             |
| BBS-190 | 15     | .425 | 8500      | 5   | 10000     | 7   | 250          | 1112      | 70        | 2500             |
| FBS-100 | 10.5   | .298 | 15000     | 5   |           |     | 30           | 133       | 66        | For Match-Plates |
| FBS-130 | 16     | .454 | 13000     | 6   | 15000     | 7   | 150          | 667       | 68        | For Match-Plates |
| FBS-160 | 24     | .680 | 10500     | 6   | 13000     | 7   | 225          | 1001      | 68        | For Match-Plates |
| FBS-190 | 26     | .737 | 8500      | 6   | 10000     | 8   | 250          | 1112      | 70        | For Match-Plates |

PHONE ORDER: 1-800-633-0032

FAX: 1-401-539-2584

WWW.VIBCO.COM

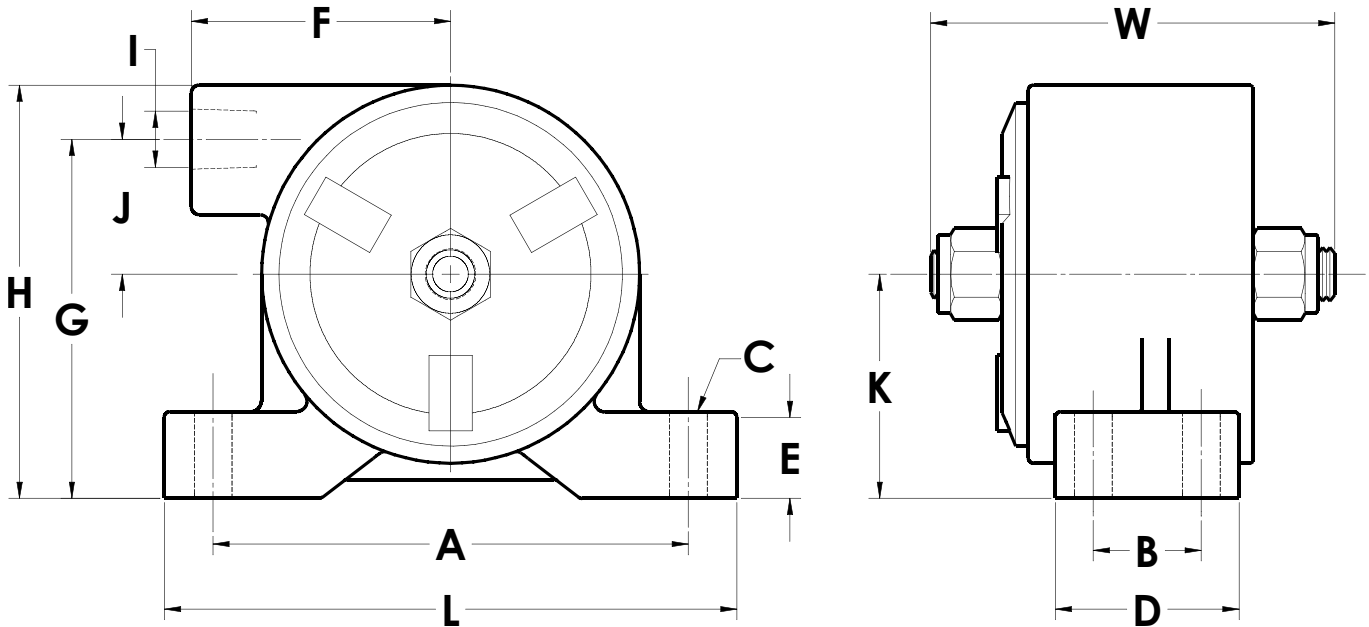
VIBRATORS@VIBCO.COM

# VS Technical Data

| Model  | A     |     | B     |    | C ** |    | L       |     | W     |     | H       |     | D      |    |
|--------|-------|-----|-------|----|------|----|---------|-----|-------|-----|---------|-----|--------|----|
|        | Inch  | mm  | Inch  | mm | Inch | mm | Inch    | mm  | Inch  | mm  | Inch    | mm  | Inch   | mm |
| VS-100 | 3     | 76  | -     | -  | 1/4  | 6  | 3 7/8   | 98  | 1 7/8 | 48  | 2       | 51  | 3/4    | 19 |
| VS-130 | 4     | 102 | -     | -  | 3/8  | 10 | 4 7/8   | 124 | 2     | 51  | 2 5/16  | 59  | 15/16  | 24 |
| VS-160 | 4     | 102 | -     | -  | 3/8  | 10 | 5 1/8   | 130 | 2 7/8 | 73  | 3       | 76  | 1 7/16 | 37 |
| VS-190 | 4     | 102 | -     | -  | 3/8  | 10 | 5 7/16  | 138 | 3 1/4 | 83  | 3 1/16  | 78  | 1 5/16 | 33 |
| VS-250 | 4     | 102 | -     | -  | 1/2  | 13 | 5 1/2   | 140 | 3 5/8 | 92  | 3 11/16 | 94  | 1 1/2  | 38 |
| VS-320 | 4     | 102 | -     | -  | 1/2  | 13 | 5 1/2   | 140 | 4     | 102 | 4 3/4   | 121 | 1 3/4  | 44 |
| VS-380 | 5 1/2 | 140 | 1 1/4 | 32 | 3/8  | 10 | 6 7/8   | 175 | 4 3/4 | 121 | 4 7/8   | 124 | 2 1/4  | 57 |
| VS-510 | 5 1/2 | 140 | 1 3/4 | 44 | 3/8  | 10 | 6 15/16 | 176 | 4 3/4 | 121 | 5 3/8   | 137 | 2 3/4  | 70 |

| * NPT Pipe Tap Size |    | ** Bolt Size |     |           |      |         |       |    |       |    |
|---------------------|----|--------------|-----|-----------|------|---------|-------|----|-------|----|
| E                   | F  | G            | I * | J         | K    |         |       |    |       |    |
| Inch                | mm | Inch         | mm  | Air Inlet | Inch | mm      |       |    |       |    |
| 3/8                 | 10 | 1 5/16       | 33  | 1 11/16   | 43   | 1/8-NPT | 5/8   | 16 | 1     | 25 |
| 3/8                 | 10 | 1 1/2        | 38  | 1 15/16   | 49   | 1/8-NPT | 3/4   | 19 | 1 1/4 | 32 |
| 11/16               | 17 | 1 7/8        | 48  | 2 7/16    | 62   | 1/4-NPT | 7/8   | 22 | 1 5/8 | 41 |
| 5/8                 | 16 | 2 1/8        | 54  | 2 1/2     | 64   | 1/4-NPT | 7/8   | 22 | 1 3/4 | 44 |
| 9/16                | 14 | 2 1/4        | 57  | 3         | 76   | 1/4-NPT | 1 1/8 | 29 | 1 7/8 | 48 |
| 13/16               | 21 | 2 1/4        | 57  | 4 1/8     | 105  | 3/8-NPT | 1 1/4 | 32 | 2 3/4 | 70 |
| 1                   | 25 | 2 7/8        | 73  | 4         | 102  | 3/8-NPT | 1 1/2 | 38 | 2 1/2 | 64 |
| 1                   | 25 | 3 1/4        | 83  | 4 3/4     | 121  | 1/2-NPT | 1 3/4 | 44 | 2 7/8 | 73 |



| Model  | Weight    |           | 60 psi    |     | 80 psi    |      |              |           | Max. lbs. Material in Bin |      |
|--------|-----------|-----------|-----------|-----|-----------|------|--------------|-----------|---------------------------|------|
|        | lbs.      | kg        | Speed VPM | CFM | Speed VPM | CFM  | Force (lbs.) | Force (N) |                           | dB   |
| VS-100 | 7/13 oz.  | .198/.368 | 12000     | 4   |           |      | 20           | 89        | 66                        | 200  |
| VS-130 | 11/21 oz. | .312/.595 | 8000      | 4.5 | 10500     | 5.5  | 75           | 334       | 67                        | 750  |
| VS-160 | 3         | 1.4       | 10000     | 7   | 12000     | 8    | 160          | 712       | 70                        | 1600 |
| VS-190 | 3.5       | 1.6       | 4200      | 7.5 | 7200      | 9    | 270          | 1201      | 70                        | 5000 |
| VS-250 | 5         | 2.3       | 5500      | 9   | 7200      | 10.5 | 500          | 2225      | 70                        | 5000 |
| VS-320 | 6.5       | 2.9       | 5200      | 9   | 6800      | 11   | 600          | 2669      | 69                        | 7000 |
| VS-380 | 11.5      | 5.2       | 4600      | 16  | 5200      | 17   | 725          | 3226      | 72                        | 7250 |
| VS-510 | 15        | 6.8       | 4000      | 18  | 4500      | 21   | 900          | 4004      | 77                        | 9000 |

PHONE ORDER: 1-800-633-0032

FAX: 1-401-539-2584



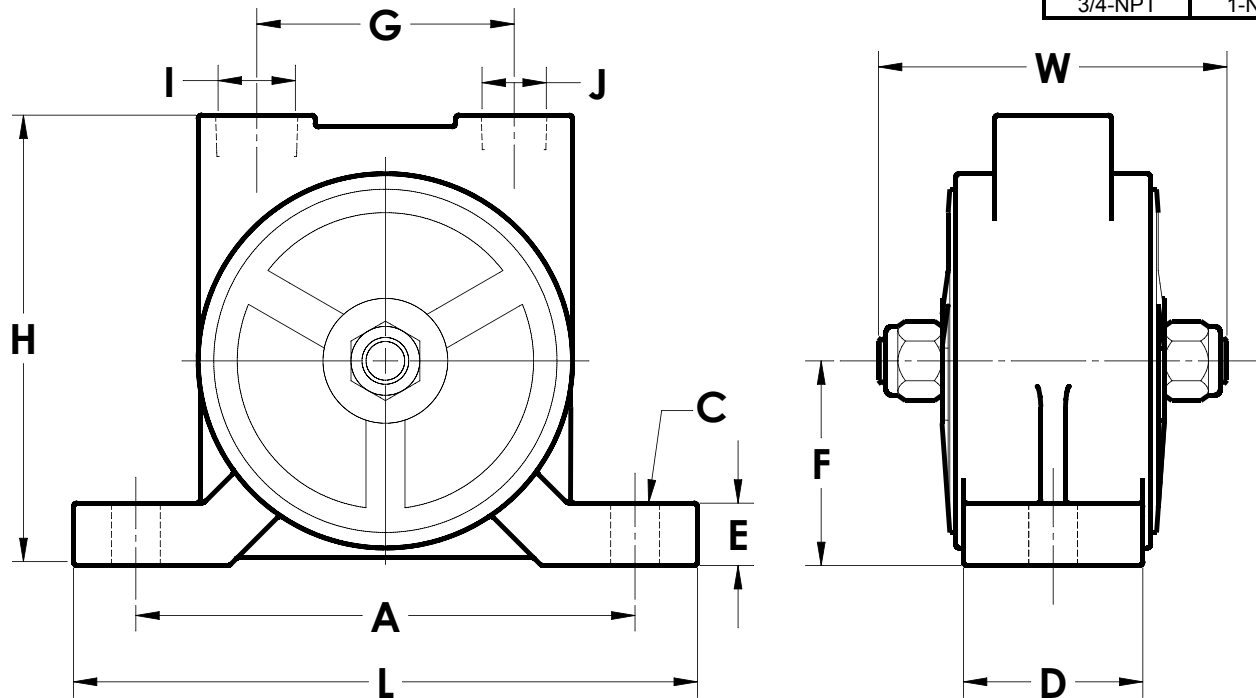
# BVS Technical Data

| Model          | A    |     | C**  |    | L       |     | W      |     | H       |     | D       |    | E      |    | F       |    | G      |     |
|----------------|------|-----|------|----|---------|-----|--------|-----|---------|-----|---------|----|--------|----|---------|----|--------|-----|
|                | Inch | mm  | Inch | mm | Inch    | mm  | Inch   | mm  | Inch    | mm  | Inch    | mm | Inch   | mm | Inch    | mm | Inch   | mm  |
| <b>BVS-60</b>  | 3    | 76  | 1/4  | 6  | 3 13/16 | 97  | 1 5/8  | 41  | 2 7/16  | 62  | 3/4     | 19 | 5/8    | 16 | 1 3/16  | 30 | 1 1/4  | 32  |
| <b>BVS-130</b> | 4    | 102 | 3/8  | 10 | 4 7/8   | 124 | 1 7/8  | 48  | 2 5/8   | 67  | 7/8     | 22 | 5/8    | 16 | 1 1/4   | 32 | 1 7/16 | 37  |
| <b>BVS-160</b> | 4    | 102 | 3/8  | 10 | 5 1/2   | 140 | 2 7/8  | 73  | 3 5/8   | 92  | 1 3/8   | 35 | 9/16   | 14 | 1 11/16 | 43 | 1 7/8  | 48  |
| <b>BVS-190</b> | 4    | 102 | 3/8  | 10 | 5 1/4   | 133 | 3 3/16 | 81  | 3 7/16  | 87  | 1 5/16  | 33 | 7/8    | 22 | 1 9/16  | 40 | 1 7/8  | 48  |
| <b>BVS-250</b> | 5    | 127 | 1/2  | 13 | 6 3/4   | 171 | 3 9/16 | 90  | 3 15/16 | 100 | 1 5/8   | 41 | 7/8    | 22 | 1 7/8   | 48 | 2 5/16 | 59  |
| <b>BVS-320</b> | 5    | 127 | 1/2  | 13 | 6 3/4   | 171 | 4      | 102 | 4 7/8   | 124 | 1 5/8   | 41 | 1 1/8  | 29 | 2 1/4   | 57 | 2 3/4  | 70  |
| <b>BVS-380</b> | 6    | 152 | 5/8  | 16 | 7 15/16 | 202 | 4 3/4  | 121 | 5 13/16 | 148 | 2       | 51 | 1 1/8  | 29 | 2 11/16 | 68 | 3      | 76  |
| <b>BVS-440</b> | 7    | 178 | 5/8  | 16 | 8 15/16 | 227 | 4 3/4  | 121 | 5 3/4   | 146 | 2 3/16  | 56 | 1 3/16 | 30 | 2 7/16  | 62 | 3 7/16 | 87  |
| <b>BVS-510</b> | 7    | 178 | 5/8  | 16 | 8 15/16 | 227 | 4 3/4  | 121 | 5 3/4   | 146 | 2 1/4   | 57 | 1 1/4  | 32 | 2 9/16  | 65 | 3 7/16 | 87  |
| <b>BVS-570</b> | 8    | 203 | 3/4  | 19 | 10 3/16 | 259 | 5 7/16 | 138 | 7 1/4   | 184 | 2 15/16 | 75 | 1      | 25 | 3 1/8   | 79 | 4      | 102 |

\* NPT Pipe Tap Size

\*\* Bolt Size

| I *     | J *     |
|---------|---------|
| Inlet   | Outlet  |
| 1/8-NPT | 1/8-NPT |
| 1/8-NPT | 1/4-NPT |
| 1/4-NPT | 3/8-NPT |
| 1/4-NPT | 3/8-NPT |
| 1/4-NPT | 3/8-NPT |
| 3/8-NPT | 1/2-NPT |
| 3/8-NPT | 1/2-NPT |
| 1/2-NPT | 3/4-NPT |
| 1/2-NPT | 3/4-NPT |
| 3/4-NPT | 1-NPT   |



| Model          | Weight    |           | 60 psi    |     | 80 psi    |     |              |           | Max. lbs.<br>Material in Bin |       |
|----------------|-----------|-----------|-----------|-----|-----------|-----|--------------|-----------|------------------------------|-------|
|                | lbs.      | kg        | Speed VPM | CFM | Speed VPM | CFM | Force (lbs.) | Force (N) |                              | dB    |
| <b>BVS-60</b>  | 7/13 oz.  | .198/.368 | 12000     | 4   |           |     | 20           | 89        | 66                           | 200   |
| <b>BVS-130</b> | 10/20 oz. | .283/.567 | 8000      | 4.5 | 10500     | 5.5 | 75           | 334       | 67                           | 750   |
| <b>BVS-160</b> | 3         | 1.4       | 9500      | 7   | 11000     | 8   | 160          | 712       | 70                           | 1600  |
| <b>BVS-190</b> | 3.5       | 1.6       | 5500      | 7.5 | 7200      | 8.5 | 270          | 1201      | 71                           | 2700  |
| <b>BVS-250</b> | 6         | 2.7       | 5200      | 8   | 7200      | 9   | 480          | 2136      | 72                           | 4800  |
| <b>BVS-320</b> | 8.5       | 3.9       | 5500      | 9   | 6800      | 10  | 600          | 2669      | 70                           | 5300  |
| <b>BVS-380</b> | 13        | 5.8       | 4500      | 16  | 5000      | 18  | 670          | 2981      | 74                           | 6700  |
| <b>BVS-440</b> | 16        | 7.3       | 4300      | 18  | 4800      | 21  | 700          | 3114      | 76                           | 7000  |
| <b>BVS-510</b> | 16        | 7.3       | 4000      | 18  | 4500      | 21  | 900          | 4004      | 77                           | 9000  |
| <b>BVS-570</b> | 23        | 10.4      | 3600      | 21  | 4000      | 26  | 1050         | 4671      | 83                           | 10500 |

PHONE ORDER: 1-800-633-0032

FAX: 1-401-539-2584

WWW.VIBCO.COM

VIBRATORS@VIBCO.COM

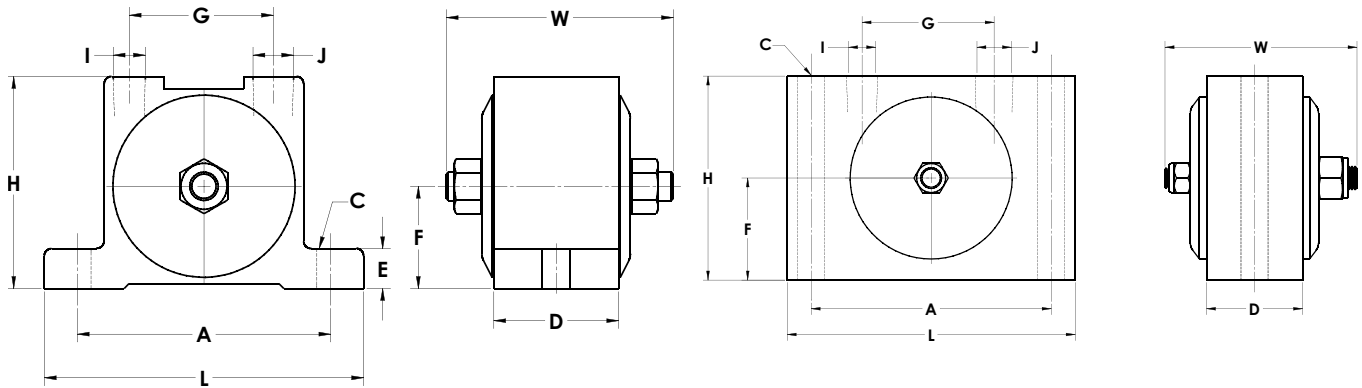
# MLT and MLTSS Technical Data

| Model       | A     |     | C**  |    | L     |     | W     |     | H      |     | D       |    | E     |    | F       |    | G       |    | I*      | J*      |
|-------------|-------|-----|------|----|-------|-----|-------|-----|--------|-----|---------|----|-------|----|---------|----|---------|----|---------|---------|
|             | Inch  | mm  | Inch | mm | Inch  | mm  | Inch  | mm  | Inch   | mm  | Inch    | mm | Inch  | mm | Inch    | mm | Inch    | mm | Inlet   | Outlet  |
| MLT/MHI-130 | 2 3/4 | 70  | 1/4  | 6  | 3 1/2 | 89  | 1 7/8 | 48  | 2 1/2  | 64  | 1       | 25 | 1/2   | 13 | 1 1/8   | 29 | 1 7/16  | 37 | 1/8-NPT | 1/4-NPT |
| MLT/MHI-190 | 3 1/2 | 89  | 3/8  | 10 | 4 1/2 | 114 | 3 3/8 | 86  | 3 3/16 | 81  | 1 13/16 | 46 | 5/8   | 16 | 1 1/2   | 38 | 1 15/16 | 49 | 1/4-NPT | 3/8-NPT |
| MLT/MHI-250 | 4     | 102 | 3/8  | 10 | 5     | 127 | 3 1/2 | 89  | 3 3/8  | 86  | 2       | 51 | 5/8   | 16 | 1 11/16 | 43 | 2 1/4   | 57 | 1/4-NPT | 3/8-NPT |
| MLTMHI-320  | 5     | 127 | 1/2  | 13 | 6 3/8 | 162 | 4     | 102 | 4 1/4  | 108 | 2       | 51 | 13/16 | 21 | 2 1/16  | 52 | 2 13/16 | 71 | 3/8-NPT | 1/2-NPT |

\* NPT Pipe Tap Size      \*\*Bolt Size

| Model           | A     |     | C**  |    | L     |     | W     |     | H     |     | D       |    | E     |    | F      |    | G       |    | I*      | J*      |
|-----------------|-------|-----|------|----|-------|-----|-------|-----|-------|-----|---------|----|-------|----|--------|----|---------|----|---------|---------|
|                 | Inch  | mm  | Inch | mm | Inch  | mm  | Inch  | mm  | Inch  | mm  | Inch    | mm | Inch  | mm | Inch   | mm | Inch    | mm | Inlet   | Outlet  |
| MLTSS/MHISS-130 | 2 3/4 | 70  | 1/4  | 6  | 3 1/2 | 89  | 1 7/8 | 48  | 2 3/8 | 64  | 1       | 25 | 1/2   | 13 | 1 3/16 | 29 | 1 7/16  | 37 | 1/8-NPT | 1/4-NPT |
| MLTSS/MHISS-190 | 3 1/2 | 89  | 3/8  | 10 | 4 1/2 | 114 | 3 3/8 | 86  | 3 1/2 | 81  | 1 13/16 | 46 | 5/8   | 16 | 1 3/4  | 38 | 1 15/16 | 49 | 1/4-NPT | 3/8-NPT |
| MLTSS/MHISS-320 | 5     | 127 | 1/2  | 13 | 6     | 152 | 4     | 102 | 4 1/4 | 108 | 2       | 51 | 13/16 | 21 | 2 1/8  | 52 | 2 13/16 | 71 | 3/8-NPT | 1/2-NPT |

\* NPT Pipe Tap Size      \*\*Bolt Size



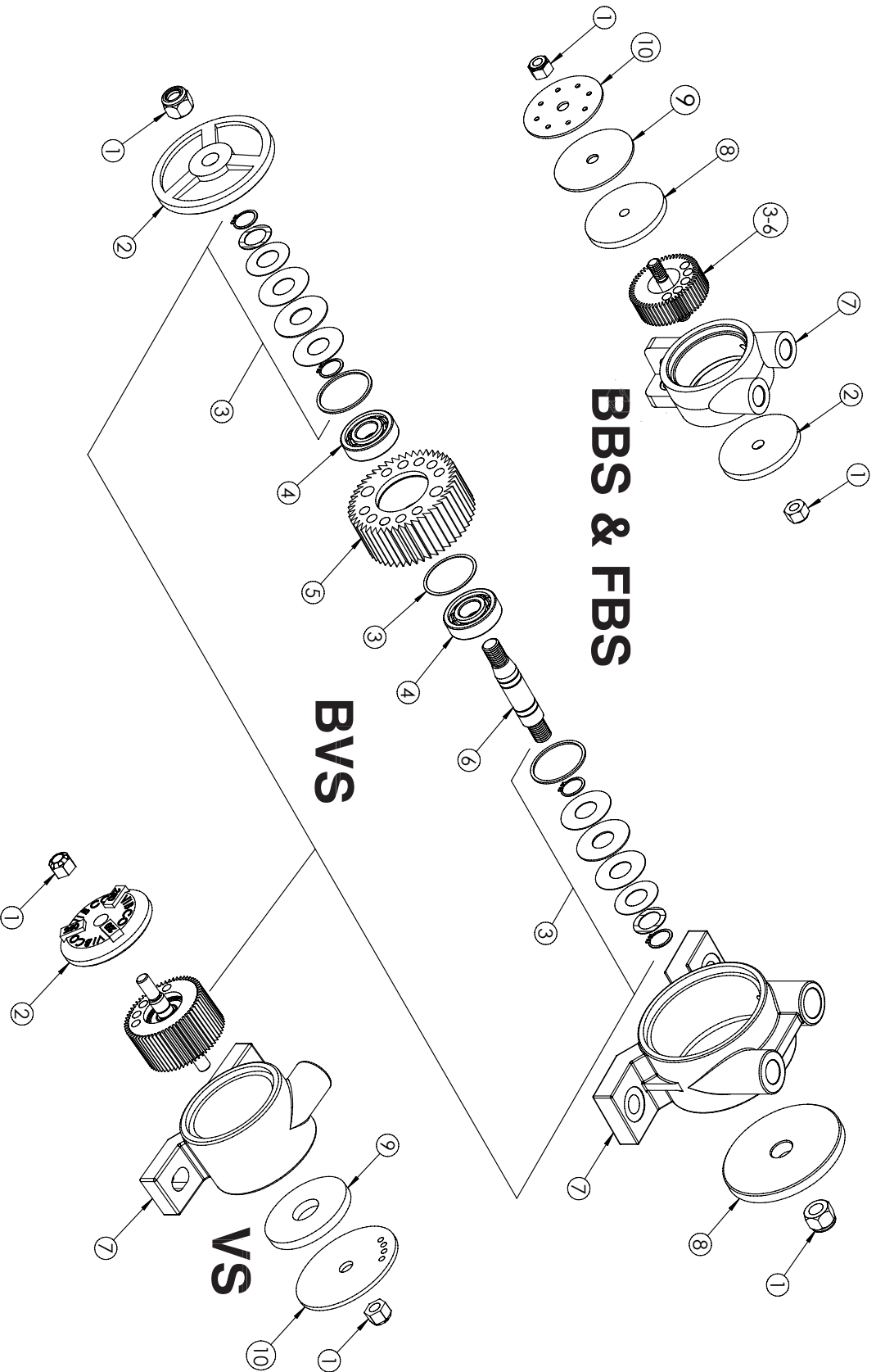
| Model   | Weight |      | 60 psi    |     | 80 psi    |     |              |           |    | Max. lbs.       |
|---------|--------|------|-----------|-----|-----------|-----|--------------|-----------|----|-----------------|
|         | lbs.   | kg   | Speed VPM | CFM | Speed VPM | CFM | Force (lbs.) | Force (N) | dB | Material in Bin |
| MLT-130 | 1      | .45  | 8600      | 4.5 | 10500     | 5.5 | 75           | 334       | 68 | 750             |
| MLT-190 | 2      | .91  | 5500      | 7.5 | 7200      | 8.5 | 270          | 1200      | 71 | 2700            |
| MLT-250 | 2.4    | 1.08 | 5200      | 8   | 7200      | 9   | 480          | 2136      | 72 | 4800            |
| MLT-320 | 4.5    | 2.04 | 5500      | 9   | 6800      | 10  | 600          | 2669      | 70 | 5300            |

| Model     | Weight |     | 60 psi    |     | 80 psi    |     |              |           |    | Max. lbs.       |
|-----------|--------|-----|-----------|-----|-----------|-----|--------------|-----------|----|-----------------|
|           | lbs.   | kg  | Speed VPM | CFM | Speed VPM | CFM | Force (lbs.) | Force (N) | dB | Material in Bin |
| MLTSS-130 | 2      | .9  | 8600      | 4.5 | 10500     | 5.5 | 75           | 334       | 68 | 750             |
| MLTSS-190 | 7      | 3.2 | 5500      | 7.5 | 7200      | 8.5 | 270          | 1200      | 71 | 2700            |
| MLTSS-320 | 13     | 6.0 | 5500      | 9   | 6800      | 10  | 600          | 2669      | 70 | 5300            |

| Model     | Weight |      | 60 psi    |     | Force (lbs.) |      | Force (N)    |           | 80 psi |      | dB | Max. lbs. |
|-----------|--------|------|-----------|-----|--------------|------|--------------|-----------|--------|------|----|-----------|
|           | lbs.   | kg   | Speed VPM | CFM | Speed VPM    | CFM  | Force (lbs.) | Force (N) |        |      |    |           |
| MHI-130   | 1      | .45  | 8000      | 4.5 | 200          | 890  | 21000        | 5.5       | 300    | 300  | 68 | 750       |
| MHISS-130 | 2      | .9   |           |     |              |      |              |           |        |      |    |           |
| MHI-190   | 2      | .91  | 5500      | 7.5 | 335          | 1490 | 10500        | 8.5       | 575    | 575  | 71 | 2700      |
| MHISS-190 | 7      | 3.2  |           |     |              |      |              |           |        |      |    |           |
| MHI-250   | 2.4    | 1.08 | 5200      | 8   | 510          | 2270 | 10200        | 9         | 965    | 4290 | 72 | 4800      |
| MHI-320   | 4.5    | 2.04 | 5500      | 9   | 675          | 3000 | 10000        | 10        | 1300   | 5780 | 70 | 5300      |
| MHISS-320 | 13     | 6.0  |           |     |              |      |              |           |        |      |    |           |

PHONE ORDER: 1-800-633-0032      FAX: 1-401-539-2584

WWW.VIBCO.COM      VIBRATORS@VIBCO.COM



PHONE ORDER: 1-800-633-0032      FAX: 1-401-539-2584  
 WWW.VIBCO.COM      VIBRATORS@VIBCO.COM

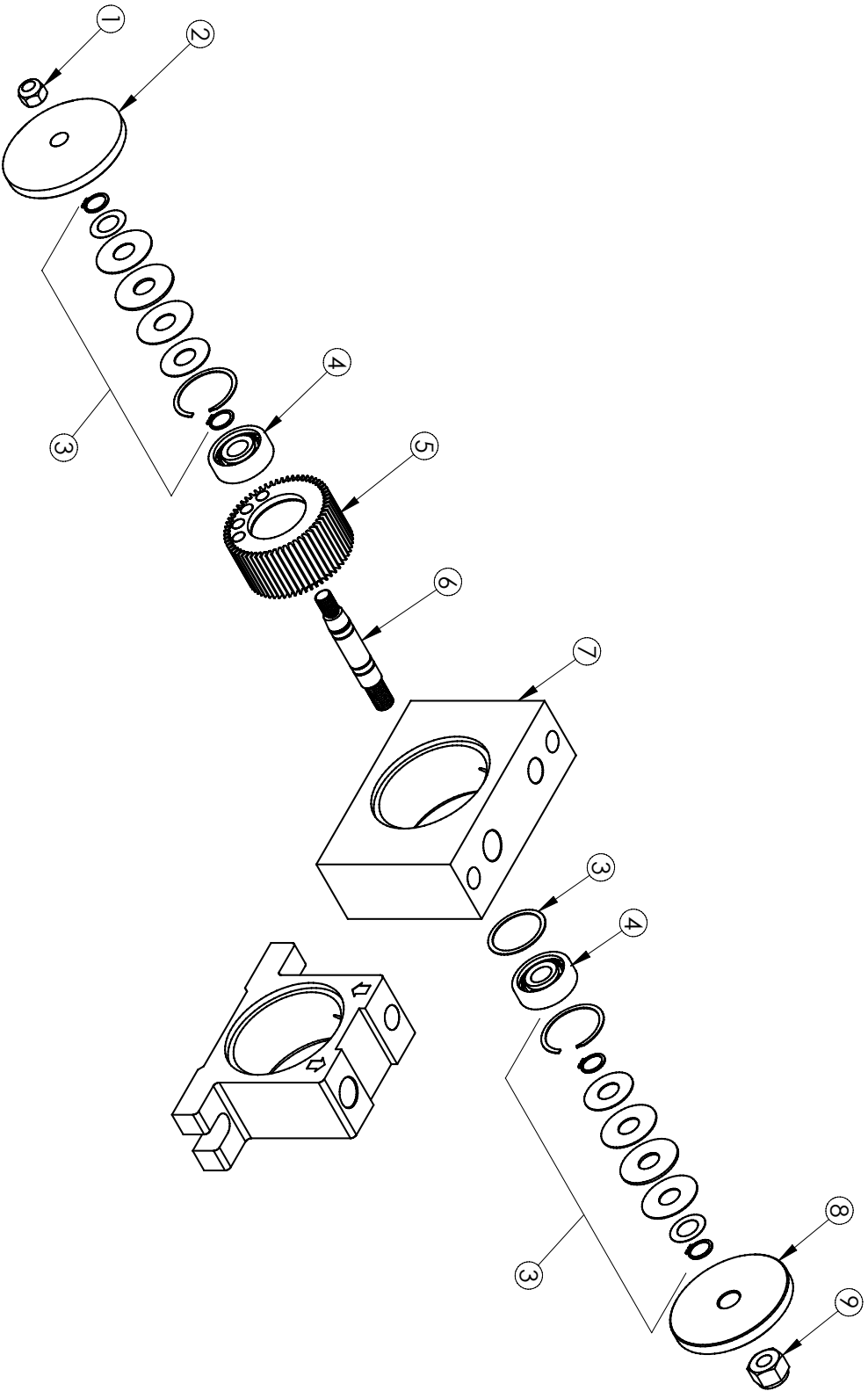
**PNEUMATIC TURBINE VIBRATOR SPARE PARTS LIST**

| MODEL     | Locknuts      | Threaded or Tapered Cover | Washer Kit* | Bearing    | Turbine Wheel | Shaft      | Housing    | Reamed Cover | Muffler Pad | Exhaust Cover | Repair Kit** |
|-----------|---------------|---------------------------|-------------|------------|---------------|------------|------------|--------------|-------------|---------------|--------------|
|           | 1             | 2                         | 3           | 4          | 5             | 6          | 7          | 8            | 9           | 10            |              |
| VS-100    | 5/16-18LN     | 100BBS04-2                | WASH-01     | 608LLB-C3  | 100BBS03-1    | 160BBS12-2 | 100V/S03   |              | 100V/S01-11 | 100BBS23-3    | RK-VS-100    |
| VS-130    | 5/16-18LN     | 100BBS04-2                | WASH-02     | 608LLB-C3  | 130BBS03-1    | 160BBS12-3 | 130V/S02   |              | 130V/S01-11 | 100BBS23-2    | RK-VS-130    |
| VS-160    | 3/8-16LN      | 160BVS07-2                | WASH-57     | 608LLB-C3  | 160BVS05      | 160BVS04   | 160V/S03   |              | 190V/S05    | 190V/S04      | RK-160       |
| VS-190    | 3/8-16LN      | 190BVS08-2                | WASH-05     | 6201LLB-C3 | 190BVS17      | 190BVS16   | 190V/S14-2 |              | 190V/S05    | 190V/S04      | RK-190       |
| VS-250    | 7/16-14LN     | 250BVS08-2                | WASH-05     | 6201LLB-C3 | 250BVS22      | 250BVS21   | 250V/S19   |              | 250V/S17    | 250V/S03      | RK-250       |
| VS-320    | 7/16-14LN     | 320BVS20                  | WASH-06     | 6302LLB-C3 | 320BVS16      | 320BVS15   | 320V/S07   |              | 320V/S06    | 320V/S10      | RK-320       |
| VS-380    | 9/16 & 5/8 LN | 380BVS23                  | WASH-07     | 6303LLB-C3 | 380BVS30      | 380BVS29   | 410V/S13   |              | 410V/S04    | 410V/S05      | RK-380       |
| VS-510    | 9/16 & 5/8 SN | 510BVS16-2                | WASH-09     | 6303LLB-C3 | 200C11        | 510BVS25   | 510V/S03   |              | 510BVS23    | 510V/S02      | RK-510       |
| BVS-60    | 5/16-18LN     | 100BBS04-2                | WASH-01     | 608LLB-C3  | 100BBS03-1    | 160BBS12-1 | 60BVS02    | 100BBS04-1   |             |               | RK-BVS-60    |
| BVS-130   | 5/16-18LN     | 130BBS04-2                | WASH-02     | 608LLB-C3  | 130BBS03-1    | 160BBS12-2 | 130BVS02   | 130BBS04-1   |             |               | RK-BVS-130   |
| BVS-160   | 3/8-16LN      | 160BVS07-2                | WASH-57     | 608LLB-C3  | 160BVS05      | 160BVS04   | 160BVS07-1 | 160BVS07-1   |             |               | RK-160       |
| BVS-190   | 3/8-16LN      | 190BVS08-2                | WASH-05     | 6201LLB-C3 | 190BVS17      | 190BVS16   | 190BVS18-2 | 190BVS08-1   |             |               | RK-190       |
| BVS-250   | 7/16-14LN     | 250BVS08-2                | WASH-05     | 6201LLB-C3 | 250BVS22      | 250BVS21   | 250BVS23   | 250BVS08-1   |             |               | RK-250       |
| BVS-320   | 7/16 & 1/2 LN | 320BVS20                  | WASH-06     | 6302LLB-C3 | 320BVS15      | 320BVS15   | 320BVS17-2 | 320BVS09-1   |             |               | RK-320       |
| BVS-380   | 9/16 & 5/8 LN | 380BVS23                  | WASH-07     | 6303LLB-C3 | 380BVS30      | 380BVS29   | 380BVS32   | 380BVS10-1   |             |               | RK-380       |
| BVS-440   | 9/16 & 5/8 LN | 510BVS16-1                | WASH-09     | 6303LLB-C3 | 200C11        | 510BVS25   | 510BVS03   | 510BVS05-1   |             |               | RK-440       |
| BVS-510   | 9/16 & 5/8 LN | 510BVS16-2                | WASH-09     | 6303LLB-C3 | 200C11        | 510BVS25   | 510BVS03   | 510BVS05-2   |             |               | RK-510       |
| BVS-510F  | 9/16 & 5/8 LN | 510BVS16-2                | WASH-09     | 6303LLB-C3 | 200C11        | 510BVS25   | 510BVS12   | 510BVS05-2   |             |               | RK-510F      |
| BVS-510FS | 9/16 & 5/8 LN | 510BVS16-2                | WASH-12     | 6303LLB-C3 | 200C11        | 510BVS25   | 510BVS12   | 510BVS32     | 510BVS23    | 320V/S10      | RK-510FS     |
| BVS-570   | 3/4-10LN      | 570BVS11                  | WASH-10     | 6305LLB-C3 | 500C26        | 570BVS16   | 570BVS03   | 570BVS05-1   |             |               | RK-570       |
| BBS-100   | 5/16-18LN     | 100BBS04-2                | WASH-01     | 608LLB-C3  | 100BBS03-1    | 160BBS12-1 | 100BBS05   | 100BBS04-1   |             |               | RK-BBS-100   |
| BBS-130   | 5/16-18LN     | 130BBS04-2                | WASH-02     | 608LLB-C3  | 130BBS03-1    | 160BBS12-2 | 130BBS06   | 130BBS04-1   |             |               | RK-BBS-130   |
| BBS-160   | 5/16-18LN     | 160BBS04-2                | WASH-04     | 608LLB-C3  | 160BBS03-1    | 160BBS12-3 | 160BBS05   | 160BBS04-1   |             |               | RK-BBS-160   |
| BBS-190   | 5/16-18LN     | 160BBS04-2                | WASH-04     | 6201LLB-C3 | 160BBS03-1    | 160BBS12-3 | 160BBS05   | 160BBS04-1   |             |               | RK-BBS-190   |
| FBS-100   | 5/16-18LN     | 100BBS04-2                | WASH-01     | 608LLB-C3  | 100BBS03-1    | 160BBS12-1 | 100BBS05-2 | 100BBS04-1   | 100BBS20-12 | 100BBS23-3    | RK-FBS-100   |
| FBS-130   | 5/16-18LN     | 130BBS04-2                | WASH-02     | 608LLB-C3  | 100BBS03-2    | 160BBS12-2 | 130BBS-6-2 | 130BBS04-1   | 100BBS10-9  | 100BBS23-2    | RK-FBS-130   |
| FBS-160   | 5/16-18LN     | 160BBS04-2                | WASH-04     | 608LLB-C3  | 160BBS03-2    | 160BBS12-3 | 160BBS05-2 | 160BBS04-1   | 100BBS10-4  | 100BBS23-1    | RK-FBS-160   |
| FBS-190   | 5/16-18LN     | 160BBS04-2                | WASH-04     | 6201LLB-C3 | 160BBS03-2    | 160BBS12-3 | 160BBS05-2 | 160BBS04-1   | 100BBS10-4  | 100BBS23-1    | RK-FBS-190   |

\* Washer Kits include: Redraining Rings, Wave Washers, Flat Washers, Bearing Spacer, Nylon Shields, and Snap Rings  
 \*\* Repair Kits include: Locknut, Cone Cover, Washer Kit, Bearings, Turbine Wheel, and Shaft

**PHONE ORDER: 1-800-633-0032      FAX: 1-401-539-2584**  
**WWW.VIBCO.COM      VIBRATORS@VIBCO.COM**

# MLTSS, MLT & MHI, MHISS



PHONE ORDER: 1-800-633-0032      FAX: 1-401-539-2584  
WWW.VIBCO.COM      VIBRATORS@VIBCO.COM

|      |     | MLT/ MHI     |             |              |                                |         |
|------|-----|--------------|-------------|--------------|--------------------------------|---------|
| ITEM | QTY | PART NO      |             |              | DESCRIPTION                    |         |
|      |     | MLT-130      | MLT-190     | MLT-250      |                                | MLT-320 |
| 1    | 1   | 5/16-18LN-SS | 3/8-16LN-SS | 7/16-14LN-SS | LOCK NUT STAINLESS STEEL       |         |
| 2    | 1   | 130BBS04-1   | 190MLT04    | 250MLT04     | MILLENIUM TURBINE REAMED COVER |         |
| 3    | 2   | WASH-02      | WASH-05     | WASH-05      | WASHER KIT                     |         |
| 4    | 2   | 608LLB-C3    | 6201LLB-C3  | 6201LLB-C3   | BEARING                        |         |
| 5    | 1   | 130BBS03-1   | 190BVS17    | 250BVS22     | GEAR                           |         |
| 6    | 1   | 160BBS12-2   | 190BVS16-1  | 250BVS21-1   | SHAFT MLT STAINLESS STEEL      |         |
| 7    | 1   | 130BVS02     | 190MLT03    | 250MLT03     | HOUSING                        |         |
| 8    | 1   | 130BBS04-2   | 190MLT05    | 250MLT05     | MILLENIUM TURBINE COVER        |         |
| 9    | 1   | 5/16-18LN-SS | 3/8-16LN-SS | 7/16-14LN-SS | LOCK NUT, STAINLESS STEEL      |         |

|      |     | MLTSS/ MHISS |             |              |                              |  |
|------|-----|--------------|-------------|--------------|------------------------------|--|
| ITEM | QTY | PART NO      |             |              | DESCRIPTION                  |  |
|      |     | MLTSS-130    | MLTSS-190   | MLTSS-320    |                              |  |
| 1    | 1   | 5/16-18LN-SS | 3/8-16LN-SS | 7/16-14LN-SS | LOCK NUT STAINLESS STEEL     |  |
| 2    | 1   | 130SS04      | 190SS04     | 302SS04      | COVER STAINLESS STEEL        |  |
| 3    | 2   | WASH-02      | WASH-05     | WASH-06      | WASHER KIT                   |  |
| 4    | 2   | 608LLB-C3    | 6201LLB-C3  | 6302LLB-C3   | BEARING                      |  |
| 5    | 1   | 130BBS03-1   | 190BVS17    | 320BVS16     | GEAR                         |  |
| 6    | 1   | 160BBS12-2SS | 190BVS16-1  | 320BVS15-1   | SHAFT MLT STAINLESS STEEL    |  |
| 7    | 1   | 130SS03      | 190SS03     | 320SS03      | HOUSING STAINLESS STEEL      |  |
| 8    | 1   | 130SS05      | 190SS05     | 320SS05      | COVER TAPPED STAINLESS STEEL |  |
| 9    | 1   | 5/16-18LN-SS | 3/8-16LN-SS | 1/2-13LN-SS  | LOCK NUT, STAINLESS STEEL    |  |

PHONE ORDER: 1-800-633-0032      FAX: 1-401-539-2584  
 WWW.VIBCO.COM      VIBRATORS@VIBCO.COM

## Warranty and General Information

### **Warranty**

All warranty claims must be submitted to VIBCO for approval prior to any repairs being done. Failure to do so will void any and all warranty coverage.

### **Errors, Shortages and Complaints**

Complaints concerning goods received or errors should be made at once. Claims must be made within five days after receipt of goods. Clerical errors are subject to correction.

### **Returning Parts**

Parts should not be returned to VIBCO without prior authorization. Call VIBCO customer service department at 1-800-633-0032 (1-800-465-9709 in Canada) for a Return Goods Authorization (RGA) number. A return authorization will be faxed to you. Return shipping must be prepaid. Material returned may be subject to a 10% rehandling charge. All returned shipments should clearly display your name and address. In order to assure proper credit our invoice number, against which parts were returned, must be supplied.

Orders for equipment built to specifications which vary from VIBCO's standard units are not subject to cancellation.

### **Responsibility**

VIBCO cannot be responsible for delays due to strikes, accidents, negligence of carriers or other causes beyond our control.

### **Freight Claims**

Should you receive a shipment from VIBCO which was damaged in transit, your claim is to be filed immediately with the carrier. All parts sold by VIBCO are on the basis of F.O.B. Wyoming, Rhode Island.

### **Product Changes**

The right is reserved by VIBCO to make changes in pattern, design or materials when deemed necessary without prior notice or obligation to make corresponding changes in previous models.

### **Price Changes**

Prices are subject to change without notice.

### **Ordering Spare Parts**

Parts can be ordered through authorized distributors or direct from VIBCO. The following data should be provided when ordering:

- |                        |   |
|------------------------|---|
| From foot of housing:  | Model of unit.  |
| From spare parts list: | Reference number, part number, description and quantity required. |
| Shipping instructions: | Specify shipping point and method of shipping.                    |



Corporate HQ & Factory

[www.vibco.com](http://www.vibco.com)

OSPREY

TURB-SVC4